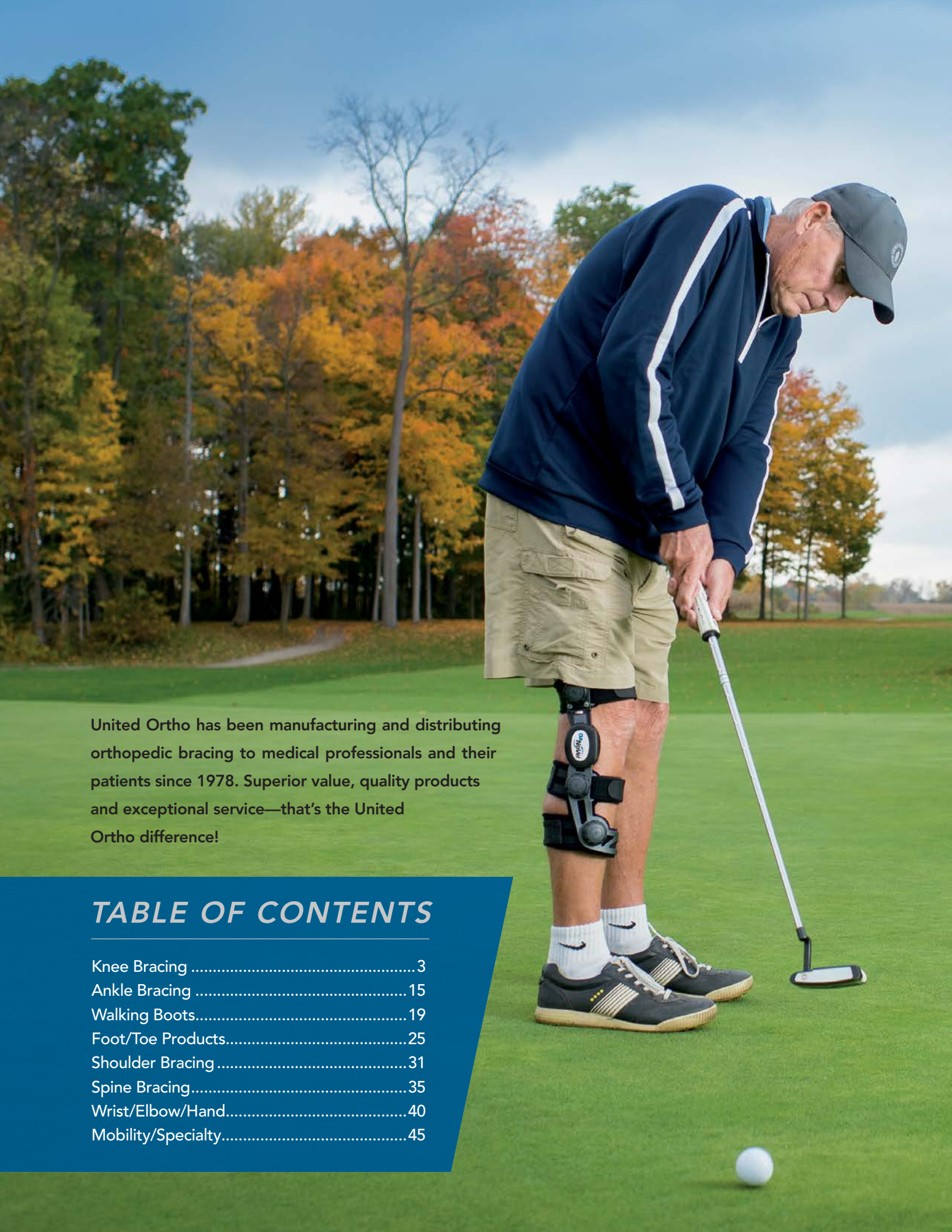




*PRODUCT CATALOG*



*Experience the United Ortho Difference.*



United Ortho has been manufacturing and distributing orthopedic bracing to medical professionals and their patients since 1978. Superior value, quality products and exceptional service—that’s the United Ortho difference!

## *TABLE OF CONTENTS*

Knee Bracing .....	3
Ankle Bracing .....	15
Walking Boots.....	19
Foot/Toe Products.....	25
Shoulder Bracing .....	31
Spine Bracing.....	35
Wrist/Elbow/Hand.....	40
Mobility/Specialty.....	45

## CUSTOMER CARE

---

Our friendly and knowledgeable Customer Service Representatives are available to take your orders or answer any questions between the hours of 8:30 a.m. and 5:00 p.m. EST.

### To place an order, contact Customer Service

Phone 800-227-8748  
Fax 877-688-7975  
Email [sales@united-ortho.com](mailto:sales@united-ortho.com)

Please provide your account number, the product number and/or description and quantity needed.

### Shipping

Orders are shipped from our centrally located distribution center in Indiana.

Orders will ship the same day when received by 4:00 p.m. EST. Special orders (logos, special packaging) may ship the next business day.

All orders are shipped FedEx Ground unless specified otherwise.

### Warranty

United Ortho guarantees all products to be free from defects in materials and workmanship for a period of six months from date of purchase. Defective products will be replaced or credited. Please have the defective product available for return if requested.

### Product Return Policy

Before returning any product, please call Customer Service for return authorization.

Returned products will be accepted up to 75 days from date of invoice, as long as they are in their original condition. After 75 days, all returns will have a 15% restocking fee. No returns will be accepted after 150 days.

Returned products should be shipped freight paid to:



United Ortho  
Attn: Returns Dept.  
2235 Pennsylvania Street  
Fort Wayne, IN 46803

Credit will be applied to the account once the product has been received, inspected and approved for restocking.



**UNITED  
ORTHO**

**KNEE BRACING**

# OA NōVEL KNEE BRACES

Utilizing the most innovative materials and design, our lightweight, low profile OA NōVel Knee Braces are designed for patients suffering from medial or lateral compartmental osteoarthritis. They feature a Dynamic Unloading Hinge, which provides a varus or valgus force to increase the load in terminal extension. This is accomplished by lengthening the strut on the affected side, changing the angle of the brace and unloading the knee...and the pain!

### EXAMPLES OF USE

- Unicompartmental OA-medial and lateral
- Chondral defect procedures
- Meniscal procedures
- Ligament Instabilities

### PRODUCT FEATURES

- Dynamic Unloading Hinge (1) unloads the knee—and the pain!
- ROM Hinge (2) with adjustable flexion/extension control.
- Cinching Dial (3) makes incremental adjustments a cinch.
- Quick Release Buckles (4) for easy on and off.
- Load Dispersion Cuffs (5) provide increased comfort.
- EXT and FLEX stops are included:
  - EXT: 20, 30, 40
  - FLEX: 45, 60, 75, 90



Part #	Description
301261-XX	OA, NōVel, OTS, Medial, Right
301262-XX	OA, NōVel, OTS, Medial, Left
301271-XX	OA, NōVel, OTS, Lateral, Right
301272-XX	OA, NōVel, OTS, Lateral, Left
400701-XX	Refurbish Kit - OA NōVel, OTS, Medial, Right
400702-XX	Refurbish Kit - OA NōVel, OTS, Medial, Left
400711-XX	Refurbish Kit - OA NōVel, OTS, Lateral, Right
400712-XX	Refurbish Kit - OA NōVel, OTS, Lateral, Left
400700-XX	Strap Set - OA NōVel, Medial
400710-XX	Strap Set - OA NōVel, Lateral

XX =	Size	Circ. Above*	Circ. Below**
01	XS	13.00"-15.50"	10.00"-11.75"
03	SM	15.50"-18.00"	11.75"-13.50"
05	MD	18.00"-20.50"	13.50"-15.50"
07	LG	20.50"-23.00"	15.50"-17.50"
08	XL	23.00"-26.00"	17.50"-19.25"
09	2XL	26.00"-29.00"	19.25"-21.50"

\*Circumference measurement taken 6" above mid-patella.  
 \*\*Circumference measurement taken 6" below mid-patella.

## OA NōVel – Medial



## OA NōVel – Lateral



# FUNCTIONAL KNEE BRACES

The FKB is a feature-rich functional knee brace that creates superior fit and comfort, resulting in increased patient compliance. Ideal for all activity levels.

## EXAMPLES OF USE

- Moderate to severe ACL instabilities
- Prophylactic/bilateral use
- MCL/LCL instabilities
- ACL reconstructions

## PRODUCT FEATURES

- Opti-Fit technology (1), located on the medial thigh cuff, creates an intimate fit and reduces migration by allowing the natural motion of the knee during flexion and extension.
- Quick-release buckles (2) are internally mounted for easy on and off.
- Straps pivot to create a contoured fit and have gecko tabs (3) with large embossed numbers, making the brace easy to apply.
- Aircraft grade aluminum provides superior strength, yet is extremely lightweight (weighs an average of only 18.5 oz.).
- ROM hinge with flexion and extension control.
- EXT and FLEX stops are included:
  - EXT: 0 (Pre-installed), 10, 20, 30
  - FLEX: 0, 10, 30, 45, 60, 75, 90
- One year warranty on frames and hinges.



Part #	Description
300070-XX	FKB, Undersleeve, Neo
300080-XX	FKB, Undersleeve, Cotton
300090-XX	FKB, Cover
300541-XX	FKB, Ant Frame, Std, OTS, Right
300542-XX	FKB, Ant Frame, Std, OTS, Left
300741-XX	FKB, Step-thru, Std, OTS, Right
300742-XX	FKB, Step-thru, Std, OTS, Left
300941-XX	FKB PCL, Ant Frame, Std, OTS, Right
300942-XX	FKB PCL, Ant Frame, Std, OTS, Left
400041-XX	Refurbish Kit – FKB, Ant Frame, Std, OTS, Right
400042-XX	Refurbish Kit – FKB, Ant Frame, Std, OTS, Left
400141-XX	Refurbish Kit – FKB, Step-thru, Std, OTS, Right
400142-XX	Refurbish Kit – FKB, Step-thru, Std, OTS, Left
400241-XX	Refurbish Kit – FKB, PCL, Ant Frame, Std, OTS, Right
400242-XX	Refurbish Kit – FKB, PCL, Ant Frame, Std, OTS, Left
400040-XX	Strap Set - FKB, Ant Frame, Std, OTS
400140-XX	Strap Set - FKB, Step-Thru, Std, OTS
400240-XX	Strap Set - FKB, PCL, Ant Frame, Std, OTS
400341-XX	Pad Set – FKB, Ant Frame, Std, OTS, Right
400342-XX	Pad Set – FKB, Ant Frame, Std, OTS, Left
400441-XX	Pad Set – FKB, Step-thru, Std, OTS, Right
400442-XX	Pad Set – FKB, Step-thru, Std, OTS, Left
400541-XX	Pad Set – FKB, PCL, Ant Frame, Std, OTS, Right
400542-XX	Pad Set – FKB, PCL, Ant Frame, Std, OTS, Left

XX =	Size	Circ. Above*	Circ. Below**
01	XS	13.00"-15.50"	10.00"-11.75"
03	SM	15.50"-18.00"	11.75"-13.50"
05	MD	18.00"-20.50"	13.50"-15.50"
07	LG	20.50"-23.00"	15.50"-17.50"
08	XL	23.00"-26.00"	17.50"-19.25"
09	2XL	26.00"-29.00"	19.25"-21.50"

\*Circumference measurement taken 6" above mid-patella.

\*\*Circumference measurement taken 6" below mid-patella.

## FKB – Anterior Frame



## FKB – Step Thru



## FKB NöVel – Anterior and Step-Thru



FKB NöVel – Anterior



FKB NöVel – Step-Thru

The FKB NöVel is a feature-rich functional knee brace that creates superior fit and comfort, resulting in increased patient compliance. It has an innovative cinching system that eliminates Velcro®, making this brace super easy to use.

### EXAMPLES OF USE

- Moderate to severe ACL instabilities
- Prophylactic/bilateral use
- MCL/LCL instabilities
- ACL reconstructions

### PRODUCT FEATURES

- Opti-Fit technology, located on the medial side of the thigh cuff, allows the natural movement of the knee through flexion/extension, creating an intimate fit and reducing migration.
- Cinching dial allows for incremental adjustments for better fit.
- Quick-release buckles are internally mounted for easy on and off.
- These braces are extremely lightweight, weighing an average of only 18.5 oz.
- ROM hinge with flexion and extension control:
- EXT and FLEX stops are included:
  - EXT: 0 (Pre-installed), 10, 20, 30
  - FLEX: 0, 10, 30, 45, 60, 75, 90
- One year warranty on frames and hinges.
- Ideal for non-contact and non-sliding activities.

Part #	Description
300070-XX	FKB, Undersleeve, Neo
300080-XX	FKB, Undersleeve, Cotton
300090-XX	FKB, Cover
300651-XX	FKB NöVel, Ant Frame, OTS, Right
300652-XX	FKB NöVel, Ant Frame, OTS, Left
300851-XX	FKB NöVel, Step-Thru, OTS, Right
300852-XX	FKB NöVel, Step-Thru, OTS, Left
400551-XX	Refurb Kit, FKB NöVel, Ant Frame, OTS, Right
400552-XX	Refurb Kit, FKB NöVel, Ant Frame, OTS, Left
400561-XX	Refurb Kit, FKB NöVel, Step-Thru, OTS, Right
400562-XX	Refurb Kit, FKB NöVel, Step-Thru, OTS, Left
400550-XX	Strap Set - FKB NöVel, Ant Frame
400560-XX	Strap Set - FKB NöVel, Step-Thru

Note: Sizing Chart for XX in Part # is on page 5.



## POST-OP KNEE BRACES

### 3-Panel Knee Immobilizer



The 3-Panel Knee Immobilizer has a three-piece design for a precise fit and is fully adjustable to accommodate varying leg circumferences.

#### EXAMPLES OF USE

- Post-operative knee immobilization
- Collateral ligament sprains
- Patella tendon repairs

#### PRODUCT FEATURES

- Fully adjustable side panels.
- Lightweight rigid posterior stays, with adjustable medial/lateral stays.
- Universal circumference fits up to 29".

Part #	Description
61012	3-Panel Knee Immobilizer – 12"
61016	3-Panel Knee Immobilizer – 16"
61018	3-Panel Knee Immobilizer – 18"
61020	3-Panel Knee Immobilizer – 20"
61024	3-Panel Knee Immobilizer – 24"

### Foam Knee Immobilizer

The Foam Knee Immobilizer is designed for quick application and provides universal sizing.

#### EXAMPLES OF USE

- Post-operative knee immobilization
- Collateral ligament sprains
- Patella tendon repairs

#### PRODUCT FEATURES

- Medial/lateral aluminum stays are removable and moldable for placement and support.
- Posterior aluminum stays are removable and contoured for added rigidity.
- 3" wide compression straps are easy to fasten and provide added support.
- Available in standard and cotton-lined styles.

Part #	Description	Length	Circ. Above*
62014	Foam Knee Immobilizer	14"	26"
62016	Foam Knee Immobilizer	16"	26"
62018	Foam Knee Immobilizer	18"	26"
62020	Foam Knee Immobilizer	20"	26"
62022	Foam Knee Immobilizer	22"	26"
62024	Foam Knee Immobilizer	24"	26"
62012-C	Foam Knee Immobilizer w/ Cotton Lining	12"	14.5"
62014-C	Foam Knee Immobilizer w/ Cotton Lining	14"	17.5"
62016-C	Foam Knee Immobilizer w/ Cotton Lining	16"	19.5"
62018-C	Foam Knee Immobilizer w/ Cotton Lining	18"	21.5"
62020-C	Foam Knee Immobilizer w/ Cotton Lining	20"	24.5"
62022-C	Foam Knee Immobilizer w/ Cotton Lining	22"	26.5"
62024-C	Foam Knee Immobilizer w/ Cotton Lining	24"	27.5"

\*Circumference measurement taken 6" above mid-patella.





# Defender Post-Op

The Defender Post-Op Knee Brace offers a simple-to-use design, which provides protected and controlled range-of-motion for patients recovering from knee surgery.

### EXAMPLES OF USE

- Post-op/post injury immobilization with ROM control

### PRODUCT FEATURES

- Easy-to-use hinge settings (1).
- Drop lock button (2): 0, 15, 30, 45 degrees.
- Adjustable struts (3) from 17" to 28" length.
- Quick-release buckles (4).
- Available in three soft goods styles: Cool Wrap, Cool Pads and Premium Full Foam.

Part #	Description	Circ. Above*
66100	Defender – Cool Wrap, Regular	Up to 27"
66101	Defender – Cool Wrap, XL	27"-35"
66150	Defender – Cool Pads, Regular	Up to 27"
66151	Defender – Cool Pads-XL	27"-35"
66200	Defender – Premium Full Foam, Regular	Up to 27"
66201	Defender – Premium Full Foam, XL	27"-35"

\*Circumference measurement taken 6" above mid-patella.

Cool Wrap

Premium Full Foam



Cool Pads





## HINGED KNEE BRACES

United Ortho's Hinged Knee Braces are designed to provide support, stabilization and compression for ligament instabilities and injuries. These braces come in a variety of options to meet your patients' needs.

### EXAMPLES OF USE

- Most ACL, PCL, MCL strains, injuries and instabilities
- Meniscal injuries
- Mild OA



### PRODUCT FEATURES

**Choice** - Two materials (KulSkyn or Neoprene), six options (Short 13" or Tall 16"—sleeve, wrap or patella buttress). Choose the option that best meets your patient's needs.

**Coolness** - Our new KulSkyn material gives these braces increased breathability and moisture-wicking properties, resulting in a cooler feel.

**Comfort** - The hinged knee braces utilize a new material in the popliteal area (1) with advanced stretch characteristics. Minimizes bunching, maximizes comfort!

**Control** - If you need to limit flexion/extension range-of-motion, the polycentric hinges provide the control that you need. Removable for washing and maintenance.

- EXT and FLEX stops are included:
  - EXT: 0 (Pre-installed), 10, 20, 30
  - FLEX: 0, 10, 30, 45, 60, 75, 90

## Hinged Knee Braces – KūlSkyn



Hinged Knee Brace, Short

Hinged Knee Brace, Short, Pat Stab

Hinged Knee Brace, Short, Wrap

Hinged Knee Brace, Tall

Hinged Knee Brace, Tall, Pat Stab

Hinged Knee Brace, Tall, Wrap

## Hinged Knee Braces – Neoprene



Hinged Knee Brace, Short

Hinged Knee Brace, Short, Pat Stab

Hinged Knee Brace, Short, Wrap

Hinged Knee Brace, Tall

Hinged Knee Brace, Tall, Pat Stab

Hinged Knee Brace, Tall, Wrap

Part #	Description
300120-XX	Hinged Knee Brace, Short, KūlSkyn
300130-XX	Hinged Knee Brace, Short, KūlSkyn, Pat Stab
300140-XX	Hinged Knee Brace, Short, KūlSkyn, Wrap
300150-XX	Hinged Knee Brace, Short, Neo
300160-XX	Hinged Knee Brace, Short, Neo, Pat Stab
300170-XX	Hinged Knee Brace, Short, Neo, Wrap
300180-XX	Hinged Knee Brace, Tall, KūlSkyn
300190-XX	Hinged Knee Brace, Tall, KūlSkyn, Pat Stab
300200-XX	Hinged Knee Brace, Tall, KūlSkyn, Wrap
300220-XX	Hinged Knee Brace, Tall, Neo
300230-XX	Hinged Knee Brace, Tall, Neo, Pat Stab
300250-XX	Hinged Knee Brace, Tall, Neo, Wrap

XX =	Size	Circ. Above*
01	XS	13.00"-15.50"
03	SM	15.50"-18.00"
05	MD	18.00"-20.50"
07	LG	20.50"-23.00"
08	XL	23.00"-26.00"
09	2XL	26.00"-29.00"

\*Circumference measurement taken 6" above mid-patella.

## Simple Hinged Knee Brace – KülSkyn and Neoprene

### PRODUCT FEATURES

- Available in Neoprene or KülSkyn, a new, innovative material that is soft, breathable and dries quickly.
- Polycentric hinges provide excellent medial-lateral stability. Removable for washing and maintenance.
- Condyle pads help create a customized fit at the knee joint for increased comfort.
- Wraparound design for easy application and removal of the brace.

Part #	Description	
300280-XX	Hinged Knee Brace – Simple, Short, KülSkyn, Wrap	
300290-XX	Hinged Knee Brace – Simple, Short, Neoprene, Wrap	
XX =	Size	Circ. Above*
01	XS	13.00"-15.50"
03	SM	15.50"-18.00"
05	MD	18.00"-20.50"
07	LG	20.50"-23.00"
08	XL	23.00"-26.00"
09	2XL	26.00"-29.00"
10	3XL	29.00"-32.00"
11	4XL	32.00"-35.00"

\*Circumference measurement taken 6" above mid-patella



KülSkyn

Neoprene

## Hinged Knee Brace – Economy

### PRODUCT FEATURES

- 1/8" neoprene construction.
- Open patella and closed popliteal.
- Hinges are molded into the brace to maintain a low profile.

Part #	Description	
3401X	Hinged Knee Brace	
X =	Size	Circ. Above*
3	SM	15.00"-17.50"
5	MD	17.50"-19.50"
7	LG	19.50"-22.50"
8	XL	22.50"-24.50"
9	2XL	24.50"-27.00"

\*Circumference measurement taken 6" above mid-patella.



## Wraparound Hinged Knee Brace – Economy

### PRODUCT FEATURES

- 1/8" neoprene construction.
- Open patella and open popliteal.
- Open popliteal eliminates bunching and increases comfort.
- Front contact closures allow for hassle-free application.
- Wraparound style accommodates all leg shape variations.
- Hinges are removable if desired.

Part #	Description	
350XX	Wraparound Hinged Knee Brace	
XX =	Size	Circ. Above*
03	SM	15.50"-18.00"
05	MD	18.00"-20.50"
07	LG	20.50"-23.00"
08	XL	23.00"-26.00"
09	2XL	26.00"-29.00"
10	3XL	29.00"-32.00"
11	4XL	32.00"-35.00"

\*Circumference measurement taken 6" above mid-patella



# PATELLOFEMORAL SUPPORTS

United Ortho's patellofemoral supports are designed to stabilize and control the patella, while also providing compression, warmth and support to the knee joint.

## EXAMPLES OF USE

- Lateral patella subluxation
- Chronic patellar mal-tracking
- Mild chondromalacia

## PRODUCT FEATURES

- Available in either KūlSkyn—a new breathable material that provides compression and superior comfort—or in our premium neoprene.
- The braces feature adjustable tension straps for dynamic treatment and optimal compression and fit.
- The PF Stabilizer comes with both a removable "J" and "U" shaped buttress.
- The PF Stabilizer with Hinge comes with a sewn-in "J" shaped buttress for lateral patellar stabilization.

Please note: the XS-SM does not have the "J" shaped buttress sewn-in.



## PF Stabilizer – KūlSkyn



PF Stabilizer – KūlSkyn

PF Stabilizer with Hinge – KūlSkyn

## PF Stabilizer – Neoprene



PF Stabilizer – Neoprene

PF Stabilizer with Hinge – Neoprene

Part #	Description
300061-XX	PF Stabilizer, Neo, Right
300062-XX	PF Stabilizer, Neo, Left
300071-XX	PF Stabilizer, KūlSkyn, Right
300072-XX	PF Stabilizer, KūlSkyn, Left
300081-XX	PF Stabilizer w/ Hinge, Neo, Right
300082-XX	PF Stabilizer w/ Hinge, Neo, Left
300091-XX	PF Stabilizer w/ Hinge, KūlSkyn, Right
300092-XX	PF Stabilizer w/ Hinge, KūlSkyn, Left

XX =	Size	Circ. Above*
01	XS	13.00"-15.50"
03	SM	15.50"-18.00"
05	MD	18.00"-20.50"
07	LG	20.50"-23.00"
08	XL	23.00"-26.00"
09	2XL	26.00"-29.00"

\*Circumference measurement taken 6" above mid-patella.

## Patella Stabilizer – Economy

### PRODUCT FEATURES

- 1/8" neoprene construction.
- Open patella and closed popliteal.
- Molded hardware to maintain a low profile.
- Soft cushioned liner to offer increased comfort.

Part #	Description
3300X	Patella Stabilizer Universal Buttress
3320X	Patella Stabilizer Donut Buttress

X =	Size	Circ. Above*
3	SM	15.00"-17.50"
5	MD	17.50"-19.50"
7	LG	19.50"-22.50"
8	XL	22.50"-24.50"
9	2XL	24.50"-27.00"

\*Circumference measurement taken 6" above mid-patella.



## Patellar Tendon Strap

The Patellar Tendon Strap is designed to alleviate moderate knee pain from patellar tendonitis.

### EXAMPLES OF USE

- Patellar tendonitis
- Osgood-Schlatter's disease
- Chondromalacia

### PRODUCT FEATURES

- Strap provides consistent compression on the patellar tendon.
- Strap is easily adjusted for optimal fit and relief.

Part #	Description
300100-XX	Patellar Tendon Strap

XX =	Size	Circ. Below*
01	XS	Less than 10.00"
03	SM	10.00"-12.50"
05	MD	12.50"-14.50"
07	LG	14.50"-16.50"
08	XL	16.50"-18.00"
09	2XL	18.00"-21.00"

\*Circumference measurement taken directly below patella.



## SOFT SUPPORTS

### Premium Knit Knee Support

The Premium Knit Knee Support uses the latest techniques in three-dimensional knitting for a compression-fit orthopedic soft support.

### EXAMPLES OF USE

- Mild knee sprains
- Patellofemoral osteoarthritis
- Chondromalacia

### PRODUCT FEATURES

- Four-way stretch for targeted compression.
- Visco-elastic insert surrounds the patella for increased comfort and support.
- Moisture controlling fabric.
- Premium Knit Knee Support in two options— with spiral stays or with straps and hinges.

Part #	Description
900270-XX	Premium Knit Knee Support
900280-XX	Premium Knit Knee Support w/ Hinge

XX =	Size	Circ. Above*
01	XS	14.50"-16.00"
03	SM	16.00"-17.00"
05	MD	17.00"-18.00"
07	LG	18.00"-19.25"
08	XL	19.25"-20.50"
09	2XL	20.50"-22.00"

\*Circumference measurement taken 5.5" above mid-patella.



## Knee Sleeve – Economy

### EXAMPLES OF USE

- Mild knee sprains
- Chondromalacia
- Mild patellofemoral osteoarthritis
- Osgood-Schlatter’s disease

### PRODUCT FEATURES

- Constructed of neoprene for compression and support.
- Open or closed patella.

Part #	Description	
3100X	Knee Sleeve, Open Pat	
3110X	Knee Sleeve, Closed Pat	
X =	Size	Circ. Above*
3	SM	15.00"-17.50"
5	MD	17.50"-19.50"
7	LG	19.50"-22.50"
8	XL	22.50"-24.50"
9	2XL	24.50"-27.00"

\*Circumference measurement taken 6" above mid-patella.



## Knee Support

United Ortho’s Knee Support provides compression, warmth and support to the knee joint. It is available in a variety of options to meet the needs of patients.

### EXAMPLES OF USE

- Mild knee sprains
- Chondromalacia
- Mild patellofemoral osteoarthritis
- Osgood-Schlatter’s disease

### PRODUCT FEATURES

- Premium neoprene for maximum compression and support.
- Available with open patella, adjustable buttress, padded and wrap options.

Part #	Description	XX =	Size	Circ. Above*
300000-XX	Knee Support, Neo	01	XS	13.00"-15.50"
300010-XX	Knee Support, Neo, Adj Buttress	03	SM	15.50"-18.00"
300020-XX	Knee Support, Neo, Open Pat	05	MD	18.00"-20.50"
300030-XX	Knee Support, Neo, Padded	07	LG	20.50"-23.00"
300040-XX	Knee Support, Neo, Padded, Open Pat	08	XL	23.00"-26.00"
300050-XX	Knee Support, Neo, Wrap, Open Pat	09	2XL	26.00"-29.00"

\*Circumference measurement taken 6" above mid-patella.



## Thigh Support/Sleeve

The Thigh Support/Sleeve offers compression, warmth and support to the thigh muscles.

### EXAMPLES OF USE

- Sprains and strains affecting the hamstrings, quadriceps and groin muscles.

### PRODUCT FEATURES

- Available in premium and economy styles.



Part #	Description	
300060-XX	Thigh Support, Neo	
XX =	Size	Circ. Above*
01	XS	13.00" - 15.50"
03	SM	15.50" - 18.00"
05	MD	18.00" - 20.50"
07	LG	20.50" - 23.00"
08	XL	23.00" - 26.00"
09	2XL	26.00" - 29.00"

\*Circumference measurement taken 6" above mid-patella.

Part #	Description	
4111X	Thigh Sleeve, Neo, Economy	
X =	Size	Circ. Above*
2	XS	18.00"-19.00"
3	SM	19.00"-20.00"
5	MD	20.00"-22.00"
7	LG	22.00"-25.00"
8	XL	25.00"-28.00"

\*Circumference measurement taken 6" above mid-patella.

## Calf Sleeve



Part #	Description	
2111X	Calf Sleeve, Neo	
X =	Size	Circumference*
2	XS	12.00"-13.00"
3	SM	13.00"-14.00"
5	MD	14.00"-15.00"
7	LG	15.00"-17.00"
8	XL	17.00"-19.00"

\*Circumference measurement taken at mid-calf.



# ANKLE BRACING



## Sport-Fit Ankle Brace

The Sport-Fit Ankle Brace features non-stretch nylon figure-8 straps, which help control abnormal inversion/eversion of the ankle. This low profile brace is ideal for all forms of activity.

### EXAMPLES OF USE

- Sub-acute ankle sprains
- Chronic ankle instabilities
- Prophylactic use

### PRODUCT FEATURES

- Low profile design fits into any shoe.
- Figure-8 nylon straps provide inversion/eversion control.
- Elastic cuff wraps around the ankle for added compression and support.
- Removable medial/lateral stays provide increased stability.
- Fits either right or left ankle.

Part #	Description	
US883X	Sport-Fit Ankle Brace	
X =	Size	Ankle Circ.*
2	XS	10.00"-11.00"
3	SM	11.00"-12.00"
5	MD	12.00"-13.00"
7	LG	13.00"-14.00"
8	XL	14.00"-15.00"
9	2XL	15.00"-16.00"

\*Measurement taken diagonally over the base of the heel and across the ankle bone. See diagram.



## Stabilizing Ankle Brace

The Stabilizing Ankle Brace is constructed of non-stretch ballistic nylon for comfort, performance and durability.

### EXAMPLES OF USE

- Sub-acute ankle sprains
- Chronic ankle instabilities
- Prophylactic use

### PRODUCT FEATURES

- Low profile design fits into any athletic or street shoe.
- Figure-8 nylon straps provide inversion/eversion control.
- Removable medial/lateral stays provide increased stability.
- Fits either right or left ankle.

Part #	Description	
US880X	Stabilizing Ankle Brace	
X =	Size	Ankle Circ.*
2	XS	10.00"-11.00"
3	SM	11.00"-12.00"
5	MD	12.00"-13.00"
7	LG	13.00"-14.00"
8	XL	14.00"-15.00"

\*Measurement taken diagonally over the base of the heel and across the ankle bone. See diagram.



## Lace-Up Ankle Brace

The Lace-Up Ankle Brace is constructed of sturdy canvas for maximum support.

### EXAMPLES OF USE

- Sub-acute ankle sprains
- Chronic ankle instabilities
- Prophylactic use

### PRODUCT FEATURES

- Sturdy canvas design with removable plastic medial/lateral stays.
- Fits into any athletic or street shoe.
- Fits either right or left ankle.

Part #	Description	
US882X	Lace-Up Ankle Brace	
X =	Size	Ankle Circ.*
2	XS	10.00"-11.00"
3	SM	11.00"-12.00"
5	MD	12.00"-13.00"
7	LG	13.00"-14.00"
8	XL	14.00"-15.00"

\*Measurement taken diagonally over the base of the heel and across the ankle bone. See diagram.



## Premium Knit Ankle Support



The Premium Knit Ankle Support uses the latest techniques in three-dimensional knitting for a compression-fit orthopedic soft support.

### EXAMPLES OF USE

- Sub-acute ankle sprains
- Chronic ankle instabilities
- Prophylactic use

### PRODUCT FEATURES

- Four-way stretch for targeted compression.
- Contoured silicone inserts surround the malleolus for support and comfort.
- Moisture-controlling fabric.
- Premium Knit Ankle Support with figure-8 straps for added inversion/eversion control.

Part #	Description
900250-XX	Premium Knit Ankle Support
900261-XX	Premium Knit Ankle Support w/ Figure-8 Strap – Right
900262-XX	Premium Knit Ankle Support w/ Figure-8 Strap – Left

XX =	Size	Ankle Circ.*
01	XS	6.75"-7.50"
03	SM	7.50"-8.25"
05	MD	8.25"-9.00"
07	LG	9.00"-9.75"
08	XL	9.75"-10.50"
09	2XL	10.50"-11.25"

\*Circumference measurement taken 1" above the malleolus.

## Trailblazer Hinged Ankle Brace

The Trailblazer Hinged Ankle Brace offers support and stability to the ankle and is ideal for transitioning out of a Walking Boot.

### EXAMPLES OF USE

- Sub-acute ankle sprains
- Chronic ankle instabilities
- Ankle injury rehabilitation
- Prophylactic use

### PRODUCT FEATURES

- Hinged side plates and foot plates control inversion/eversion.
- Contoured foot plates provide arch support and stability.
- High density foam pads form to ankle to offer increased comfort.
- Heat moldable shell.
- Fits easily into shoe.

Part #	Description
US8841X	Trailblazer Hinged Ankle Brace – Right
US8842X	Trailblazer Hinged Ankle Brace – Left

X =	Size	Men's Shoe Size	Women's Shoe Size
2	XS	–	4 – 6
3	SM	4 – 7	7 – 9
5	MD	8 – 10	10 – 12
7	LG	11 – 13	13 – 15



## Foam Stirrup Ankle

The Foam Stirrup Ankle provides stability and support to unstable or injured ankles.

### EXAMPLES OF USE

- Sub-acute ankle sprains
- Chronic ankle instabilities
- Prophylactic use

### PRODUCT FEATURES

- Polypropylene outer shells are anatomically contoured to fit right or left.
- Unique memory foam pads provide uniform compression, a customized fit and maximum comfort.
- A soft, adjustable foot piece connects the shells.

Part #	Description	Height
US8811F	Foam Stirrup Ankle – SM	8.75"
US8812F	Foam Stirrup Ankle – Trainer	9.50"
US8813F	Foam Stirrup Ankle – Regular	10.00"



## Air Stirrup Ankle

The Air Stirrup Ankle provides stability and support to unstable or injured ankles.

### EXAMPLES OF USE

- Sub-acute ankle sprains
- Chronic ankle instabilities
- Prophylactic use

### PRODUCT FEATURES

- Polypropylene outer shells are anatomically contoured to fit right or left.
- Air chambers, lined with soft foam, may be inflated to provide medial/lateral support.
- A soft, adjustable foot piece connects the shells.

Part #	Description	Height
US8811A	Air Stirrup Ankle – SM	8.75"
US8812A	Air Stirrup Ankle – Trainer	9.50"
US8813A	Air Stirrup Ankle – Regular	10.00"



## Air/Gel Stirrup Ankle

The Air/Gel Stirrup Ankle provides stability and support to unstable or injured ankles.

### EXAMPLES OF USE

- Sub-acute ankle sprains
- Chronic ankle instabilities
- Prophylactic use

### PRODUCT FEATURES

- Polypropylene outer shells are anatomically contoured to fit right or left.
- Air/gel bladder, lined with soft foam, provides medial/lateral support and may be used for cold therapy treatment.
- A soft, adjustable foot piece connects the shells.

Part #	Description	Height
US8810G	Air/Gel Stirrup Ankle – Ped	6.00"
US8811G	Air/Gel Stirrup Ankle – SM	8.75"
US8812G	Air/Gel Stirrup Ankle – Trainer	9.50"
US8813G	Air/Gel Stirrup Ankle – Regular	10.00"





**UNITED  
ORTHO**

**WALKING BOOTS**

## Stabilizer Walker – Standard and Ankle

The Stabilizer Walker provides maximum stability and support following injury or post-operative procedures.

### EXAMPLES OF USE

- Acute ankle sprains
- Soft tissue injuries
- Stable lower leg, foot and ankle fractures
- Post-operative use

### PRODUCT FEATURES

- Plastic molded uprights with steel reinforcement for increased durability.
- Wide footbed provides increased stability, comfort and accommodation for edema and bandages.
- Shock-absorbing insole reduces impact of heel strike when walking.
- Rocker sole helps promote a natural gait to allow continuation of daily activities.



Part #	Description
1400X	Stabilizer Walker – Standard
1401X	Stabilizer Walker – Ankle
1400XR	Stabilizer Walker Liner Replacement – Standard
1401XR	Stabilizer Walker Liner Replacement – Ankle
WLE	Walker Liner Enlarger – One Size

X =	Size	Men's Shoe Size	Women's Shoe Size
1	XS	Kids' 1.5 - Men's 4	Kids' 1.5 - Women's 5.5
3	SM	4.5 - 6.5	6 - 8
5	MD	7 - 9.5	8.5 - 10.5
7	LG	9.5 - 12	11 - 12+
9	XL	12.5 - 14	-

## Stabilizer Air Walker – Standard and Ankle



The Stabilizer Air Walker provides maximum stability and support following injury or post-operative procedures.

### EXAMPLES OF USE

- Acute ankle sprains
- Soft tissue injuries
- Stable lower leg, foot and ankle fractures
- Post-operative use

### PRODUCT FEATURES

- Plastic molded uprights with steel reinforcement for increased durability.
- Medial/lateral air bladders offer customized compression to increase comfort and reduce edema.
- Wide footbed provides increased stability, comfort and accommodation for edema and bandages.
- Shock-absorbing insole reduces impact of heel strike when walking.
- Rocker sole helps promote a natural gait to allow continuation of daily activities.

Part #	Description
1410X	Stabilizer Air Walker – Standard
1411X	Stabilizer Air Walker – Ankle
L1210X	Stabilizer Air Walker Liner Replacement – Standard
NSL1211X	Stabilizer Air Walker Liner Replacement – Ankle
WLE	Walker Liner Enlarger – One Size

X =	Size	Men's Shoe Size	Women's Shoe Size
1	XS	Kids' 1.5 - Men's 4	Kids' 1.5 - Women's 5.5
3	SM	4.5 - 6.5	6 - 8
5	MD	7 - 9.5	8.5 - 10.5
7	LG	9.5 - 12	11 - 12+
9	XL	12.5 - 14	-

## USA Walker – Standard and Ankle

The USA Walker provides maximum stability and support following injury or post-operative procedures.

### EXAMPLES OF USE

- Acute ankle sprains
- Soft tissue injuries
- Stable lower leg, foot and ankle fractures
- Post-operative use

### PRODUCT FEATURES

- Fixed, aluminum uprights allow for the frame to be adjusted to conform better to the contour of the leg.
- Shock-absorbing insole reduces impact of heel strike when walking.
- Rocker sole helps promote a natural gait to allow continuation of daily activities.

Part #	Description
1200X	USA Walker – Standard
1201X	USA Walker – Ankle
1200XR	USA Walker Replacement Liner – Standard
1201XR	USA Walker Replacement Liner – Ankle
WLE	Walker Liner Enlarger – One Size

X =	Size	Men's Shoe Size	Women's Shoe Size
1	XS	–	3 – 5
3	SM	5 – 6	5.5 – 7
5	MD	6.5 – 10	7.5 – 11
7	LG	10.5 – 12	11.5+
9	XL	12.5+	–



## USA Air Walker – Standard and Ankle



The USA Air Walker provides maximum stability and support following injury or post-operative procedures.

### EXAMPLES OF USE

- Acute ankle sprains
- Soft tissue injuries
- Stable lower leg, foot and ankle fractures
- Post-operative use

### PRODUCT FEATURES

- Fixed, aluminum uprights allow for the frame to be adjusted to conform better to the contour of the leg.
- Medial/lateral air bladders offer customized compression to increase comfort and reduce edema.
- Shock-absorbing insole reduces impact of heel strike when walking.
- Rocker sole helps promote a natural gait to allow continuation of daily activities.

Part #	Description
1210X	USA Air Walker – Standard
1211X	USA Air Walker – Ankle
L1210X	USA Air Walker Replacement Liner – Standard
NSL1211X	USA Air Walker Replacement Liner – Ankle
WLE	Walker Liner Enlarger – One Size

X =	Size	Men's Shoe Size	Women's Shoe Size
1	XS	–	3 – 5
3	SM	5 – 6	5.5 – 7
5	MD	6.5 – 10	7.5 – 11
7	LG	10.5 – 12	11.5+
9	XL	12.5+	–

# The 360 Air Walker

The United Ortho 360 Air Walker has a circumferential, semi-rigid shell that offers maximum support to the leg/ankle following injury or post-operative procedures.

### EXAMPLES OF USE

- Acute ankle sprains
- Soft tissue injuries
- Stable foot and ankle fractures
- Post-operative use

### PRODUCT FEATURES

- Streamlined, semi-rigid shell is lightweight, yet provides maximum support for the leg and ankle.
- Medial/lateral air bladders offer customized compression to increase comfort and reduce edema.
- Rocker sole helps promote a natural gait to allow continuation of daily activities.
- Shock-absorbing insole reduces impact of the heel strike while walking.
- Toe guard for added protection.



Part #	Description
1610X	The 360 Air Walker – Standard
1611X	The 360 Air Walker – Ankle
L1610X	Air Liner Replacement – Standard
L1611X	Air Liner Replacement – Ankle

X =	Size	Men's Shoe Size	Women's Shoe Size
1	XS	–	4 – 5
3	SM	5 – 6	5.5 – 7
5	MD	6.5 – 10	7.5 – 11
7	LG	10.5 – 12	11.5 – 13
9	XL	12+	13+



## USA ROM Walker – Standard and Ankle

The USA ROM Walker provides protected range-of-motion following injury or post-operative procedures.

### EXAMPLES OF USE

- Acute ankle sprains
- Soft tissue injuries
- Stable lower leg, foot and ankle fractures
- Post-operative use following Achilles tendon repair

### PRODUCT FEATURES

- Aluminum uprights allow for the frame to be adjusted to conform better to the contour of the leg.
- ROM settings between 45 degrees plantar-flexion and 30 degrees dorsi-flexion in 7.5 degree increments.
- Rocker sole helps promote a natural gait to allow continuation of daily activities.

Part #	Description
1220X	USA ROM Walker – Standard
1221X	USA ROM Walker – Ankle, No XL
1230X	USA Air ROM Walker – Standard
1231X	USA Air ROM Walker – Ankle, No XL

X =	Size	Men's Shoe Size	Women's Shoe Size
3	SM	5 – 6	5.5 – 7
5	MD	6.5 – 10	7.5 – 11
7	LG	10.5 – 12	11.5+
9	XL	12.5+	–



## USA Diabetic Walker

The USA Diabetic Walker is designed to provide comfort, stability and protection.

### EXAMPLES OF USE

- Acute ankle sprains
- Soft tissue injuries
- Stable lower leg, foot and ankle fractures
- Post-operative use

### PRODUCT FEATURES

- Diabetic insole with removable pegs effectively offloads plantar pressure on the foot.
- Rocker sole helps promote a natural gait to allow continuation of daily activities.

Part #	Description	Men's Shoe Size	Women's Shoe Size
D12001	USA Diabetic Walker – XS	–	3 – 5
D12003	USA Diabetic Walker – SM	5 – 6	5.5 – 7
D12005	USA Diabetic Walker – MD	6.5 – 10	7.5 – 11
D12007	USA Diabetic Walker – LG	10.5 – 12	11.5+
D12009	USA Diabetic Walker – XL	12.5+	–





## Pediatric Air Walker

The Pediatric Air Walker is designed to treat stable fractures and ankle sprains.

### EXAMPLES OF USE

- Acute ankle sprains
- Soft tissue injuries
- Stable foot and ankle fractures
- Post-operative use

### PRODUCT FEATURES

- Rigid metal frame provides protection for an active child.
- Shock-absorbing insole improves comfort and protects the user from slips, providing additional security in each step.
- Rocker bottom to simulate a natural gait.
- Lightweight design for kids to keep active.

Part #	Description	Foot Length	Leg Length
100160-03	Pediatric Air Walker – SM	6.5"	8"
100160-05	Pediatric Air Walker – MD	8"	9.5"
100160-07	Pediatric Air Walker – LG	9"	12"



## USA Pediatric Walker

The USA Pediatric Walker is designed to treat stable fractures and ankle sprains.

### EXAMPLES OF USE

- Acute ankle sprains
- Soft tissue injuries
- Stable foot and ankle fractures
- Post-operative use

### PRODUCT FEATURES

- Metal uprights.
- Shock-absorbing insole reduces impact of heel strike when walking.
- Rocker sole helps promote a natural gait to allow continuation of daily activities.

Part #	Description	Foot Length	Leg Length
0814-0232	Pediatric Walker – SM/MD	Up to 6"	Up to 9"
0814-0233	Pediatric Walker – LG	6" – 7.5"	Up to 11"
0814-0234	Pediatric Walker – XL	7.5" – 8.5"	Up to 14"





# FOOT/ TOE PRODUCTS

## Square Toe Post-Op Shoe

The Square Toe Post-Op Shoe provides increased protection and comfort following post-operative procedures and forefoot injuries.

### PRODUCT FEATURES

- Square toe design provides better left/right fit.
- Forefoot closure offers easy on/off and accommodates large dressings.
- Semi-rigid sole.
- Rocker sole.

<i>Part #</i>	<i>Description</i>	
5800-XX	Square Toe Post-Op Shoe	
<i>XX =</i>	<i>Size</i>	<i>Shoe Size</i>
01	Men's SM	6 - 8
02	Men's MD	8.5 - 10
03	Men's LG	10.5 - 12
08	Men's XL	12.5 - 14
04	Women's SM	4 - 6
05	Women's MD	6.5 - 8
06	Women's LG	8.5 - 10
07	PED	12 - 1



## Mesh Top Post-Op Shoe



### PRODUCT FEATURES

- Breathable mesh fabric upper with padded heel collar.
- D-ring with loop/lock closure and extended straps accommodate various dressing widths.
- Semi-rigid sole.

Part #	Description
5600-XX	Mesh Top Post-Op Shoe

XX =	Size	Shoe Size
01	Men's SM	6 - 8
02	Men's MD	8.5 - 10
03	Men's LG	10.5 - 12
08	Men's XL	12.5 - 14
09	Men's XXL	14.5+
04	Women's SM	4 - 6
05	Women's MD	6.5 - 8
06	Women's LG	8.5 - 10
07	PED	12 - 1

## Soft Top Post-Op Shoe

### PRODUCT FEATURES

- Soft fabric upper provides comfort and protection.
- Extended straps accommodate various dressing widths.
- Semi-rigid sole.

Part #	Description
5400-XX	Soft Top Post-Op Shoe

XX =	Size	Shoe Size
01	Men's SM	6 - 8
02	Men's MD	8.5 - 10
03	Men's LG	10.5 - 12
08	Men's XL	12.5 - 14
04	Women's SM	4 - 6
05	Women's MD	6.5 - 8
06	Women's LG	8.5 - 10



## Blue Nylon Post-Op Shoe



### PRODUCT FEATURES

- Lightweight blue nylon upper.
- Extended straps accommodate various dressing widths.
- Rigid sole.

Part #	Description
4700-XX	Blue Nylon Post-Op Shoe

XX =	Size	Shoe Size
01	Men's SM	6 - 8
02	Men's MD	8.5 - 10
03	Men's LG	10.5 - 12
08	Men's XL	12.5 - 14
04	Women's SM	4 - 6
05	Women's MD	6.5 - 8
06	Women's LG	8.5 - 10
07	PED	12 - 1

## Rigid Sole Post-Op Shoe

### PRODUCT FEATURES

- Breathable mesh fabric upper.
- D-ring with loop/lock closure and extended straps accommodate various dressing widths.
- Rigid sole.

Part #	Description
4800-XX	Rigid Sole Post-Op Shoe

XX =	Size	Shoe Size
01	Men's SM	6 - 8
02	Men's MD	8.5 - 10
03	Men's LG	10.5 - 12
08	Men's XL	12.5 - 14
04	Women's SM	4 - 6
05	Women's MD	6.5 - 8
06	Women's LG	8.5 - 10
07	PED	12 - 1



## Canvas Cast Shoe

### PRODUCT FEATURES

- Sandal style with canvas upper.
- Open toe and open heel.
- Forefoot and heel loop/lock closure.
- E.V.A. rocker sole.

Part #	Description
1500-XX	Canvas Cast Shoe

XX =	Size	Sole Length
06	Infant	5.25"
05	PED	6.50"
00	XS	7.75"
00.5	Youth	8.50"
01	SM	9.50"
02	MD	10.50"
02.5	MD/LG	11.00"
03	LG	11.75"
04	XL	13.50"



## Vinyl Cast Boot

### PRODUCT FEATURES

- Excellent for use with fiberglass casts or bulky compression bandages.
- Open toe and closed heel.
- Weatherproof, stretchable upper.
- Loop/lock contact closure.
- Rocker sole is designed to help promote a natural gait.

Part #	Description
3700-XX	Vinyl Cast Boot

XX =	Size	Men's Shoe Size	Women's Shoe Size
00	XS		3 – 5
01	SM		5.5 – 8
02	MD	6 – 8	8.5 – 10
03	LG	8.5 – 11	
04	XL	11.5 – 14	



## Canvas Cast Boot

### PRODUCT FEATURES

- Sandal style with canvas upper.
- Closed toe and closed heel.
- Loop/lock contact closure.
- E.V.A. rocker sole.

Part #	Description
3500-XX	Canvas Cast Boot

XX =	Size	Sole Length
05	PED	8.00"
00	XS	9.00"
00.5	Youth	10.00"
01	SM	10.75"
02	MD	11.50"
02.5	MD/LG	12.50"
03	LG	12.75"
04	XL	13.75"



## Rocker Cast Shoe

### PRODUCT FEATURES

- Canvas upper.
- Open toe and open heel.
- Adjustable forefoot and heel loop/lock closures.
- Rigid rocker sole.

Part #	Description
1544-XX	Rocker Cast Shoe

XX =	Size	Sole Length
00	XS	7.25"
01	SM	9.50"
02	MD	11.00"
03	LG	12.75"
04	XL	13.75"



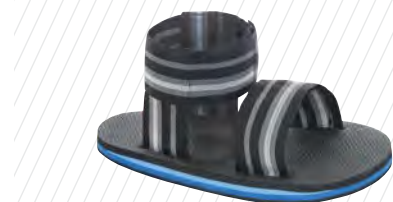
## Cast Sandal

### PRODUCT FEATURES

- Sandal style with elastic straps.
- E.V.A. rocker sole.

Part #	Description
2500-XX	Cast Sandal

XX =	Size	Sole Length
05	PED	7.00"
00	XS	8.00"
00.5	Youth	9.25"
01	SM	9.75"
02	MD	11.00"
02.5	MD/LG	11.25"
03	LG	12.00"
04	XL	13.50"



## Equinus Cast Shoe

### PRODUCT FEATURES

- Sandal style with canvas upper.
- Open toe and open heel.
- Forefoot and heel loop/lock closure.
- E.V.A. rocker sole.

Part #	Description
1511-XX	Equinus Cast Shoe

XX =	Size	Sole Length
05	PED	6.50"
00	XS	8.00"
00.5	Youth	9.00"
01	SM	10.00"
02	MD	10.50"
02.5	MD/LG	11.00"
03	LG	11.50"
04	XL	13.50"



## Darco® Med-Surg DUO™ Pressure Relief Shoe



### PRODUCT FEATURES

- Duo E.V.A. sole provides up to 40% pressure reduction.
- The E.V.A. sole is lightweight, up to 27% weight reduction.
- The DUO is more durable, lasts four times longer, and provides better shock absorption.
- Adjustable strap with soft ankle pad is softer, meaning more patient comfort.
- Dual buckle means strap and pad can be switched left or right.

Part #	Size	Women's Shoe Size	Men's Shoe Size
DS0B	XS	<5	-
DS1B	SM	5.5 – 8	-
DS2B	MD	8.5 – 10	6 – 8
DS3B	LG	10.5 – 13	8.5 – 11
DS4B	XL	13.5 +	11.5 – 14

## Darco® Med-Surg™ Shoe – Square Toe

### PRODUCT FEATURES

- Square toe design provides protection and better left/right fit.
- Ankle strap seats the foot firmly in the sole and prevents heel friction.
- Rocker sole.

Part #	Size	Shoe Size
MQM1B	Men's SM	6 – 8
MQM2B	Men's MD	8.5 – 10
MQM3B	Men's LG	10.5 – 12
MQM4B	Men's XL	12.5 – 14
MQW1B	Women's SM	4 – 6
MQW2B	Women's MD	6.5 – 8
MQW3B	Women's LG	8.5 – 10
MQPB	PED	12 – 1



## Darco® Med-Surg™ Shoe – Round Toe



### PRODUCT FEATURES

- Patented metatarsal shank provides forefoot control.
- Reinforced, padded heel grips the foot, reducing slippage.

Part #	Size	Shoe Size
MSM1N	Men's SM	6 – 8
MSM2N	Men's MD	8.5 – 10
MSM3N	Men's LG	10.5 – 12
MSM4N	Men's XL	12.5 – 14
MSW1N	Women's SM	4 – 6
MSW2N	Women's MD	6.5 – 8
MSW3N	Women's LG	8.5 – 10
MSPN	PED	12 – 1

## Darco® HeelWedge™

### PRODUCT FEATURES

- Off-loads the heel by shifting weight to the mid-foot.
- Square toe design provides better left/right fit.
- Modified rocker sole.

Part #	Size	Women's Shoe Size	Men's Shoe Size
HQ0B	XS	4 – 7	–
HQ1B	SM	7.5 – 10	6 – 8
HQ2B	MD	10.5 – 13	8.5 – 10
HQ3B	LG	13 +	10.5 – 12
HQ4B	XL	–	12.5 – 14



## Darco® OrthoWedge™

### PRODUCT FEATURES

- Off-loads the toe by shifting weight to the mid-foot.
- Square toe design provides better left/right fit.
- Modified rocker sole.

Part #	Size	Women's Shoe Size	Men's Shoe Size
OQ0B	XS	4 – 7	–
OQ1B	SM	7.5 – 10	6 – 8
OQ2B	MD	10.5 – 13	8.5 – 10
OQ3B	LG	13 +	10.5 – 12
OQ4B	XL	–	12.5 – 14



## Darco® Slimline Cast Boot™

### PRODUCT FEATURES

- Excellent for use with fiberglass casts or bulky compression bandages.
- Square toe design acts as a protective bumper and gives patient more room.
- Left/right closure for ease of fastening.
- Rocker sole.

Part#	Size	Women's Shoe Size	Men's Shoe Size
SLQ0B	XS	3 – 5	–
SLQ1B	SM	5.5 – 8	–
SLO2B	MD	8.5 – 10	6 – 8
SLO3B	LG	–	8.5 – 11
SLO4B	XL	–	11.5 – 14
Part#	Size	Children's Shoe Size*	
SLO1NP	PED SM	5 – 7.5	
SLO2NP	PED MD	8 – 11.5	
SLO3NP	PED LG	12 – 1.5	

\*Pediatric—blue, round toe



## Darco® All Purpose Boot

### PRODUCT FEATURES

- Can be used as a post-op shoe or cast boot.
- Removable E.V.A. insole.
- Left/right closure for ease of fastening.
- Rocker sole.

Part #	Size	Women's Shoe Size	Men's Shoe Size
APQ0B	XS	4 – 7	–
APQ1B	SM	7.5 – 10	6 – 8
APQ2B	MD	10.5 – 13	8.5 – 10
APQ3B	LG	–	10.5 – 12
APQ4B	XL	–	12.5 – 14



## Adjustable Night Splint

The Adjustable Night Splint features adjustable straps for controlled application of a prolonged stretch. Non-skid tread for limited ambulation.

### EXAMPLES OF USE

- Plantar fasciitis
- Achilles tendonitis

### PRODUCT FEATURES

- Adjustable flexion straps provide a gentle stretching of the plantar fascia and Achilles tendon.
- Adjusts from 10° to 90° dorsi-flexion.
- Lightweight, sturdy, one-piece flexible shell.
- Cool foam liner, padded calf and ankle straps for additional comfort.

Part #	Description
1203X	Adjustable Night Splint

X =	Size	Men's Shoe Size	Women's Shoe Size
3	Small	Up to 7	Up to 7.5
5	Medium	7.5 – 9	8 – 9.5
7	Large	9.5 – 11.5	10 – 12.5



## Dorsal Night Splint

The Dorsal Night Splint is a low profile solution for plantar fasciitis treatment.

### EXAMPLES OF USE

- Plantar fasciitis
- Achilles tendonitis
- Drop foot

### PRODUCT FEATURES

- Lightweight, low profile design for increased comfort and compliance.
- Slips on and adjusts easily.
- Non-slip pad on plantar pad for limited ambulation.

Part #	Description
1206X	Dorsal Night Splint

X =	Size	Men's Shoe Size	Women's Shoe Size
5	SM/MD	5 – 9	6 – 10
7	LG/XL	9.5 – 14	10.5 – 13



## PF Wrap

The PF Wrap is designed to minimize the discomfort of plantar fasciitis.

### EXAMPLES OF USE

- Plantar fasciitis

### PRODUCT FEATURES

- Low profile design fits into most shoes.
- Can be worn day and night.

Part #	Description	X =	Size	Ankle Circ.*
1205X	PF Wrap	3	SM	11"
		5	MD	12"
		7	LG	13"

\*Measurement taken around the widest part of the ankle



## Silicone Heel Cups

### PRODUCT FEATURES

- Made of molded medical-grade soft silicone.
- Helps reduce shock and vibration loads to joints.
- Soft center in heel region helps alleviate pain in sensitive area.

Part #	Description	Size
U4769	Silicone Heel Cups	Child/Youth
U4770	Silicone Heel Cups	Adult REG
U4771	Silicone Heel Cups	Adult LG





# SHOULDER BRACING

 **UNITED  
ORTHO**



# Shoulder Sling Series

United Ortho's Shoulder Sling Series provides multiple options for post-operative care—immobilization, abduction and external rotation. The innovative design creates maximum comfort and support for the patient recovering from shoulder surgery or injury.

### EXAMPLES OF USE

- Anterior glenohumeral dislocation/subluxation
- Capsular shifts
- Posterior shoulder repair
- Post-operative Bankart procedures
- Soft tissue strains/repairs
- Rotator cuff repairs

### PRODUCT FEATURES

- Superior fit through contoured forearm design (1).
- Quick-release buckles (2) for easy application and removal—single-handedly!
- Breathability through advanced moisture-wicking materials.
- Premium shoulder strap padding (3) for increased comfort.
- Universal left or right.
- Standard and Neutral pillow options—includes exercise ball (4).

Part #	Description
200050-XX	Shoulder Abduction Sling, Std
200060-XX	Shoulder Abduction Sling, Neutral
200070-XX	Shoulder Sling, Premium
200080-XX	Shoulder Immobilizer, Premium

XX =	Size	Length from Elbow*
03	SM	Up to 11"
05	MD	11"-13"
07	LG	13"-15"
08	XL	15"+

\*Length from elbow to base of index finger



Shoulder Abduction Sling, Std

Shoulder Abduction Sling, Neutral



Shoulder Sling, Premium

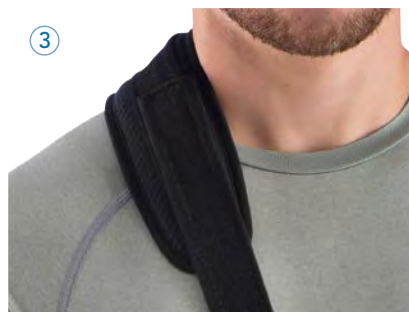
Shoulder Immobilizer, Premium



Standard Pillow



Neutral Pillow



## Shoulder Immobilizer – Standard or Deluxe

STANDARD



The Shoulder Immobilizer comes in Standard and Deluxe options and provides patient comfort, while immobilizing the arm and shoulder.

### EXAMPLES OF USE

- Shoulder injuries or instabilities

### PRODUCT FEATURES

- Soft cotton/poly blend for increased comfort.
- Removable foam waist strap (standard only).
- D-ring on strap for easy adjustment.
- Fits right or left arm.
- Deluxe option has fully padded shoulder strap.

DELUXE



Part #	Description
3051-XX	Shoulder Immobilizer – Standard
3251-XX	Shoulder Immobilizer – Deluxe

STANDARD			DELUXE		
XX =	Size	Length	XX =	Size	Length
05	PED	11.0"	05	PED	10.0"
01	SM	13.0"	01	SM	13.0"
02	MD	15.0"	02	MD	15.0"
03	LG	17.0"	03	LG	18.0"
04	XL	19.5"	04	XL	20.0"

## Elastic Shoulder Immobilizer

The Elastic Shoulder Immobilizer provides immobilization by holding the arm close to the body at the arm and the wrist.

### EXAMPLES OF USE

- Shoulder injuries or instabilities
- Shoulder dislocations

### PRODUCT FEATURES

- Elastic waist band.
- Foam wrist pad and nylon humeral cuff with contact closure.
- Fits right or left.

Part #	Description
3351-XX	Elastic Shoulder Immobilizer – Men's
3352-XX	Elastic Shoulder Immobilizer – Women's

XX =	Size	Men's Rib Measurement	Women's Rib Measurement
01	SM	32"-36"	24"-28"
02	MD	36"-40"	28"-32"
03	LG	40"-44"	32"-36"
04	XL	44"-48"	36"-42"



## Deluxe Sling and Swathe



The Deluxe Sling and Swathe safely positions the arm close to the body for immobilization.

### EXAMPLES OF USE

- Shoulder injuries or instabilities
- Shoulder dislocations

### PRODUCT FEATURES

- Cool, lightweight pile/foam construction provides patient comfort during rehab.
- Two over-the-shoulder crisscross straps attach to the sling with contact closures.
- One size fits up to 54" waist.

Part #	Description
4051	Deluxe Sling and Swathe

## Envelope Arm Sling – Standard or Deluxe

The Envelope Arm Sling provides support to injured arms following trauma or surgery.

### EXAMPLES OF USE

- Arm injuries or instabilities
- Post-surgery

### PRODUCT FEATURES

- Soft cotton/poly blend for increased comfort.
- Contact closure and D-rings for easy adjustment.
- Fits right or left arm.
- Deluxe option has fully padded shoulder strap.

Part #	Description
2051-XX	Envelope Arm Sling – Standard
2251-XX	Envelope Arm Sling – Deluxe

STANDARD			DELUXE		
XX =	Size	Length	XX =	Size	Length
05	PED	10.5"	05	PED	10.0"
01	SM	13.0"	01	SM	12.5"
02	MD	15.0"	02	MD	15.0"
03	LG	17.0"	03	LG	17.0"
04	XL	19.0"	04	XL	19.5"





# SPINE BRACING

# Vista® Collar

The Vista Collar improves patient care while saving time, money and storage space. With its innovative height adjustment technology, the Vista Collar is really six collars in one. The right size is always at hand, reducing storage and inventory costs, while improving patient care.

### EXAMPLES OF USE

- Post-operative support
- Kyphoplasty
- Traumatic cervical injuries
- Severe strains and sprains
- Radiculopathy

### PRODUCT FEATURES

- Height Adjustment Dial—Simply pull and turn the height adjustment dial to select one of six Vista Collar height settings.
- Effective Skin Care—Proven cotton-lined pads wick moisture from patient’s skin, while clickable polyurethane foam assures optimal pressure distribution.
- Eliminate Sizing—With six sizes in one, the Vista Collar eliminates the need for pre-sizing methods of any kind.
- Patient Access—The extra large tracheal aperture provides functional access for airway management and other essential procedures.



Part #	Description
984000	Vista Collar
984002	Vista Collar with Replacement Pads
984020	Vista Collar Replacement Pads

# Cervical Collar



The Cervical Collar provides comfortable support of the cervical spine in a neutral position. It is made of medium density foam with a cotton stockinette cover.

### EXAMPLES OF USE

- Post-operative rehabilitation
- Mild cervical strains

### PRODUCT FEATURES

- Chin cutaway.
- Universal sizing.

Part #	Description
10002	Cervical Collar – 2"
10003	Cervical Collar – 3"
10004	Cervical Collar – 4"

# Clavicle Strap

The Clavicle Strap is a lightweight brace that holds the shoulder in correct alignment to stabilize the clavicle and to help promote healing.

### EXAMPLES OF USE

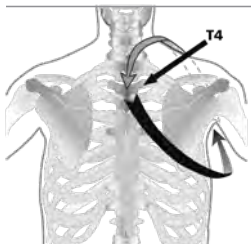
- Clavicle fractures
- Postural control

### PRODUCT FEATURES

- Contoured foam padding throughout the straps for patient comfort.
- Figure-8 design makes it easy to adjust the brace for a customized fit.

Part #	Description	
200000-XX	Clavicle Strap	
XX =	Size	Shoulder Circ.*
01	XS	15"-21"
03	SM	19"-28"
05	MD	24"-34"
07	LG	30"-38"
08	XL	34"-40"

\*Measurement taken from center of shoulder blades and around shoulder



Measure from center of shoulder blades, under the arm and around the top of the shoulder.



## Xback LS

The Xback LS is an LSO brace that provides coverage from the sacral spine through the L5 vertebra, providing even pressure distribution for a more consistent pain relief.

### EXAMPLES OF USE

- Chronic and acute strains
- Degenerative disc disease
- Herniated discs
- Spondylolisthesis
- Spondylosis

Part #	Description
900540-50A	Xback LS Adjustable (19"-40")
900540-50B	Xback LS Adjustable (41"-59")



## Prolift

The Prolift is a one-piece LSO brace that immobilizes the patient from the sacrococcygeal junction to above the T9 vertebra. The front panel provides a hydrostatic lift to help hold the weight of the abdomen, reducing load on the discs.

### EXAMPLES OF USE

- Chronic and acute strains
- Degenerative disc disease
- Herniated discs
- Post-surgical stabilization
- Spondylolisthesis
- Spondylosis

Part #	Description
900340-XX	Prolift
900340-50A	Prolift Adjustable (19"-40")
900340-50B	Prolift Adjustable (41"-59")

XX =	Size	Waist Measurement
03	SM	19"-26"
05	MD	27"-35"
07	LG	36"-43"
08	XL	44"-51"
09	2XL	52"-59"
10	3XL	60"-67"
11	4XL	68"+



## Prolift-Plus

The Prolift-Plus is identical to the Prolift, except it adds and incorporates lateral side panels, providing additional support, stability and abdominal compression.

### EXAMPLES OF USE

- Chronic and acute strains
- Degenerative disc disease
- Herniated discs
- Post-surgical stabilization
- Spondylolisthesis
- Spondylosis
- Spinal stenosis

Part #	Description
900440-XX	Prolift-Plus
900440-50A	Prolift-Plus Adjustable (19"-40")
900440-50B	Prolift-Plus Adjustable (41"-59")

XX =	Size	Waist Measurement
03	SM	19"-26"
05	MD	27"-35"
07	LG	36"-43"
08	XL	44"-51"
09	2XL	52"-59"
10	3XL	60"-67"
11	4XL	68"+



## Prolift-Plus Panels

Side panels for use in the Prolift, Prolift-Plus, Prolift TLSO and Prolift-Plus TLSO.

Part #	Description
901040-XX	Prolift-Plus Panels (Pair)

XX =	Size
03	SM
05	MD
07	LG
08	XL
09	2XL
10	3XL
11	4XL

## Prolift TLSO



The Prolift TLSO is a one-piece TLSO brace that immobilizes the patient from the sacrum to the scapular plane. The unique strapping system provides an alternative to a hard, uncomfortable sternal pad. The brace restricts motion, controls pelvic tilt and rotation and provides hydrostatic lift to help hold the weight of the abdomen, reducing load on the discs.

### EXAMPLES OF USE

- Chronic and acute strains associated with lumbar
- Degenerative disc disease
- Mechanical back pain
- Compression fractures
- Post-surgical stabilization
- Scoliosis
- Spinal Stenosis

Part #	Description
900740-XX	Prolift TLSO

XX =	Size	Waist Measurement
03	SM	19"-26"
05	MD	27"-35"
07	LG	36"-43"
08	XL	44"-51"
09	2XL	52"-59"
10	3XL	60"-67"
11	4XL	68"+

## Prolift-Plus TLSO

The Prolift-Plus TLSO is identical to the Prolift TLSO, except it adds and incorporates lateral side panels, providing additional support, stability and abdominal compression.

### EXAMPLES OF USE

- Chronic and acute strains associated with lumbar
- Degenerative disc disease
- Mechanical back pain
- Compression fractures
- Post-surgical stabilization
- Scoliosis
- Spinal Stenosis

Part #	Description
900840-XX	Prolift-Plus TLSO

XX =	Size	Waist Measurement
03	SM	19"-26"
05	MD	27"-35"
07	LG	36"-43"
08	XL	44"-51"
09	2XL	52"-59"
10	3XL	60"-67"
11	4XL	68"+



## Mesh Back Support

The Mesh Back Support provides compression for lumbar stabilization.

### EXAMPLES OF USE

- Low back pain
- Low back sprains and strains
- Low back support and stabilization

### PRODUCT FEATURES

- 8" low-profile brace.
- Constructed of breathable, mesh material.
- Molded lumbar compression pad.
- Double side pulls for added support.

Part #	Description	
510XX	Mesh Back Support	
XX =	Size	Waist Circ.
03	SM	26"-30"
05	MD	30"-34"
07	LG	34"-38"
09	XL	38"-42"
10	2XL	42"-50"
11	3XL	50"-56"



## Elastic Back Support – Black



The Elastic Back Support provides compression and excellent support to the lower back.

### EXAMPLES OF USE

- Low back pain
- Low back sprains and strains
- Low back support and stabilization

### PRODUCT FEATURES

- 8" low-profile brace.
- Constructed of durable elastic, with contact closures.
- Double side pulls for added support.
- Molded lumbar compression pad.

Part #	Description	
5300X	Elastic Back Support	
X =	Size	Waist Circ.
3	SM	26"-30"
5	MD	30"-34"
7	LG	34"-38"
9	XL	38"-42"

## Elastic Back Support – White

The Elastic Back Support provides compression and excellent support to the lower back.

### EXAMPLES OF USE

- Low back pain
- Low back sprains and strains
- Low back support and stabilization

### PRODUCT FEATURES

- 10" back support.
- Constructed of durable elastic, with contact closures.
- 4 aluminum side panel stays prevent rollover and provide firm support.
- 4" tension strap encircles the back brace for added stabilization.

Part #	Description	
550XX	Elastic Back Support	
XX =	Size	Waist Circ.
03	SM	32"-36"
05	MD	36"-40"
07	LG	40"-44"
09	XL	44"-47"
10	2XL	47"-54"
11	3XL	54"-58"







**WRIST/  
ELBOW/HAND**

## Wrist Lacer

The Wrist Lacer is a lightweight, low profile brace that immobilizes the wrist, while allowing full function of the hand. The dual lacing closure system, adjustable dorsal stay and malleable palmar stay provide a customized fit and superior support.

### EXAMPLES OF USE

- Wrist immobilization
- Sprains and strains
- Tendonitis
- Post-cast healing
- Carpal tunnel syndrome

### PRODUCT FEATURES

- Constructed of a soft, comfortable foam material.
- Adjustable dorsal stay.
- Malleable and removable palmar stay.
- Dual pull lacing closure for easy application.
- Universal sizing.

Part #	Description	Size
700001-50	Wrist Lacer – Right	Univ
700002-50	Wrist Lacer – Left	Univ



## PatientFORM 6", 8", 10" Wrist Brace

The PatientFORM Wrist Brace is a great solution for wrist support and immobilization. Constructed of a lightweight, durable material, this brace offers maximum comfort.

### EXAMPLES OF USE

- Wrist immobilization
- Sprains and strains
- Tendonitis
- Post-cast healing
- Carpal tunnel syndrome

### PRODUCT FEATURES

- Durable, lightweight material is Lycra-lined for breathability and comfort.
- Removable and malleable aluminum palmar stay provides correct fit and proper support.
- Easy-to-use contact closures.
- Available in three lengths—6", 8" and 10".

Part #	Description
7021X-6	PatientFORM Wrist Brace, Right – 6"
7022X-6	PatientFORM Wrist Brace, Left – 6"

X =	Size	Wrist Circ.
3	SM	6.25"-7.25"
5	MD	7.25"-8.00"
7	LG	8.00"-9.00"
8	XL	9.00"-10.00"



Part #	Description
7021X	PatientFORM Wrist Brace, Right – 8"
7022X	PatientFORM Wrist Brace, Left – 8"

X =	Size	Wrist Circ.
1	XXS*	4.25"-5.25"
2	XS	5.25"-6.25"
3	SM	6.25"-7.25"
5	MD	7.25"-8.00"
7	LG	8.00"-9.00"
8	XL	9.00"-10.00"

Part #	Description
7021X-10	PatientFORM Wrist Brace, Right – 10"
7022X-10	PatientFORM Wrist Brace, Left – 10"

X =	Size	Wrist Circ.
2	XS	5.25"-6.25"
3	SM	6.25"-7.25"
5	MD	7.25"-8.00"
7	LG	8.00"-9.00"
8	XL	9.00"-10.00"

\*XXSmall is 6.5" in length.

## Keo Carpal Tunnel Splint

The Keo Carpal Tunnel Splint is an innovative brace that offers relief from the pain associated with carpal tunnel syndrome. This brace optimally positions the hand for a significant increase in the carpal tunnel, allowing the healing process to begin.

### EXAMPLES OF USE

- Carpal Tunnel Syndrome

### PRODUCT FEATURES

- Soft, moisture-controlling material.
- Opens carpal tunnel up to 38%.
- Adjustable strap for customized fit.
- Day or night support.
- Two cold packs included for cold therapy.
- Fits right or left hand.

Part #	Description
i-75100	Keo Carpal Tunnel Splint – Univ

### Additional Cold Therapy

Two cold packs also included with the Keo Brace for additional treatment to help reduce pain even faster.



## Universal 8" Wrist Brace

The Universal 8" Wrist Brace is constructed of a durable, lightweight material that provides both support and comfort. The universal sizing reduces inventory needs.

### EXAMPLES OF USE

- Wrist immobilization
- Sprains and strains
- Tendonitis
- Carpal tunnel syndrome

### PRODUCT FEATURES

- Lycra-lined for breathability and patient comfort.
- Removable and malleable aluminum palmar stay provides correct fit and proper support.
- Universal sizing.

Part #	Description
70410	Universal 8" Wrist Brace – Right
70420	Universal 8" Wrist Brace – Left



## Wrist Lacer with Thumb Spica

The Wrist Lacer with Thumb Spica is a lightweight, low profile brace that offers excellent support and immobilization. The dual lacing closure system, adjustable dorsal stay and malleable palmar stay provide a customized fit and superior support.

### EXAMPLES OF USE

- Wrist and thumb sprains and strains
- Wrist immobilization
- DeQuervain's syndrome
- Post-cast healing

### PRODUCT FEATURES

- Constructed of a soft, comfortable foam material.
- Adjustable dorsal stay.
- Malleable and removable palmar stay for customized fit.
- Dual pull lacing closure for easy application.
- Adjustable thumb strap for patient comfort.
- Universal sizing.

Part #	Description	Size
700011-50	Wrist Lacer with Thumb Spica – Right	Univ
700012-50	Wrist Lacer with Thumb Spica – Left	Univ



## PatientFORM 8" Thumb Spica

The PatientFORM 8" Thumb Spica is a great solution for wrist/thumb support and immobilization. Constructed of a lightweight, durable material, this brace offers maximum comfort.

### EXAMPLES OF USE

- Wrist and thumb sprains and strains
- Wrist immobilization
- DeQuervain's syndrome
- Post-cast healing

### PRODUCT FEATURES

- Durable, lightweight material is Lycra-lined for breathability and comfort.
- Removable and malleable aluminum palmar stay provides support for palmar surface of wrist and extensor surface of thumb.
- Easy-to-use contact closures.

Part #	Description
7031X	PatientFORM 8" Thumb Spica – Right
7032X	PatientFORM 8" Thumb Spica – Left

X =	Size	Wrist Circ.
2	XS	5.25"-6.25"
3	SM	6.25"-7.25"
5	MD	7.25"-8.00"
7	LG	8.00"-9.00"
8	XL	9.00"-10.00"



## Universal 8" Thumb Spica

The Universal 8" Thumb Spica is constructed of a durable, lightweight material that provides both support and comfort. The universal sizing reduces inventory needs.

### EXAMPLES OF USE

- Wrist and thumb sprains and strains
- Wrist immobilization
- DeQuervain's syndrome
- Post-cast healing

### PRODUCT FEATURES

- Lycra-lined for breathability and patient comfort.
- Removable and malleable aluminum palmar stay provides correct fit and proper support.
- Adjustable dorsal stay.
- Universal sizing.

Part #	Description	Size
70510	Universal 8" Thumb Spica – Right	Univ
70520	Universal 8" Thumb Spica – Left	Univ



## Elbow Support

The Elbow Support provides warmth, compression and support to the elbow joint. It also helps protect muscles during activity.

### EXAMPLES OF USE

- Elbow sprains and strains
- Bursitis
- Tendonitis

### PRODUCT FEATURES

- Neoprene construction.
- Available in padded option.

Part #	Description
200010-XX	Elbow Support, Neo
200020-XX	Elbow Support, Neo, Padded

XX =	Size	Circ. Taken at Elbow Joint
03	SM	8"-9"
05	MD	9"-10"
07	LG	10"-11"
08	XL	11"-12"
09	2XL	12"-13"



## Tennis Elbow

The Tennis Elbow strap provides targeted compression to relieve pain caused by tennis elbow.

### EXAMPLES OF USE

- Tendonitis
- Lateral/medial epicondylitis

### PRODUCT FEATURES

- 2" wide nylon strap with D-ring closure.
- Universal sizing.

Part #	Description	Size
400	Tennis Elbow	Univ



## Premium Knit Elbow Support

The Premium Knit Elbow Support uses the latest techniques in three-dimensional knitting for a compression-fit orthopedic soft support.

### EXAMPLES OF USE

- Elbow sprains and strains
- Bursitis
- Tendonitis

### PRODUCT FEATURES

- Contoured silicone inserts provide support and comfort.
- Four-way stretch for targeted compression.
- Moisture-controlling fabric.

Part #	Description
900290-XX	Premium Knit Elbow Support

XX =	Size	Elbow Circ.*
01	XS	7.50"-8.25"
03	SM	8.25"-9.00"
05	MD	9.00"-9.75"
07	LG	9.75"-10.50"
08	XL	10.50"-11.50"
09	2XL	11.50"-12.25"

\*Measurement taken 4.5" down from elbow.



## Finger/Thumb Splint

Vinyl/foam construction with adjustable contact closure for proper fit. Malleable stay may be shaped to hold fingers or thumb in exact degree of flexion or extension.

Part #	Description
4300X	Finger/Thumb Splint

X =	Size	Length x Width
3	SM	7.50" X .375"
5	MD	9.00" X .375"
7	LG	10.00" X .375"



## Plastic Finger Splint

The Plastic Finger Splint is designed to aid in the repair of ruptured tendons.

### PRODUCT FEATURES

- Skintone color.
- 12 per pack.



Part #	Description	Diameter	Length
621	Plastic Finger Splint – Size 1	0.60"	2.08"
622	Plastic Finger Splint – Size 2	0.66"	2.04"
623	Plastic Finger Splint – Size 3	0.74"	2.30"
624	Plastic Finger Splint – Size 4	0.75"	2.475"
625	Plastic Finger Splint – Size 5	0.75"	2.31"
625.5	Plastic Finger Splint – Size 5.5	0.90"	2.40"
626	Plastic Finger Splint – Size 6	0.90"	2.53"
627	Plastic Finger Splint – Size 7	1.00"	2.47"

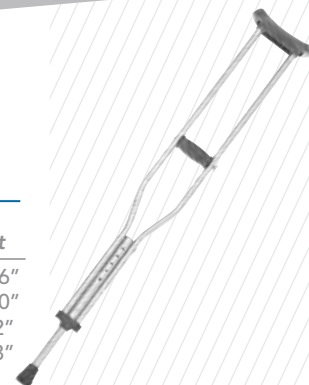
# MOBILITY/SPECIALTY

## Aluminum Push Button Crutches

### PRODUCT FEATURES

- Constructed of 3/4" anodized tubing.
- Easy, push button height adjustment.
- Lightweight plastic arm and hand grips.
- 300 lb. weight capacity

Part #	Description	Height
1011T	Aluminum Push Button Crutches – Tall	5'10"-6'6"
1011A	Aluminum Push Button Crutches – Adult	5'2"-5'10"
1011Y	Aluminum Push Button Crutches – Youth	4'6"-5'2"
1011C	Aluminum Push Button Crutches – Child	4'0"-4'8"



## Deluxe Folding Walker

### PRODUCT FEATURES

- Two-button mechanism allows each side to operate independently.
- Sturdy 1" diameter anodized aluminum ensures maximum strength, while remaining lightweight.
- Includes rear glide caps and glide covers for use on all surfaces.
- 350 lb. weight capacity.

Part #	Description	Height
10200-4	Deluxe Folding Walker – Adult	32"-39"
10201-4	Deluxe Folding Walker – Junior	25"-32"
10210-4	Deluxe Folding Walker with Wheels – Adult, 5" Wheels	32"-39"
10211-4	Deluxe Folding Walker with Wheels – Junior, 5" Wheels	25"-32"
10206-4	Deluxe Folding Walker with Wheels – Adult, 3" Wheels	32"-39"



## Aluminum Cane

### PRODUCT FEATURES

- Constructed of 1" diameter anodized aluminum tubing.
- Gray vinyl grip.
- Offset handle provides better stability.
- Easy-to-use one-button height adjustment.
- 300 lb. weight capacity.

Part #	Description	Height
MDS86420CHRW	Aluminum Cane	29"-38"



## Seal-Tight Cast Covers

### PRODUCT FEATURES

- Easy-to-use with the patented application ring.
- Non-latex diaphragm stretches easily over a cast or bandages to form a watertight seal.
- Reusable.

Part #	Description	Length
20100	Adult Hand	12"
20101	Adult Short Arm	23"
20102	Adult Long Arm	40"
20107	Adult Wide Short Arm	23"
20200	Pediatric Small Arm	12"
20201	Pediatric Medium Arm	19"
20202	Pediatric Large Arm	29"
20103	Adult Short Leg	24"
20104	Adult Long Leg	42"
20105	Adult Foot/Ankle	12"
20106	Adult Wide Short Leg	24"
20203	Pediatric Small Leg	12"
20204	Pediatric Medium Leg	17"
20205	Pediatric Large Leg	32"



## Quad Cane

### PRODUCT FEATURES

- Quad base and offset handle provide stability and support.
- Easy-to-use one-button height adjustment.
- Chrome finish.
- 300 lb. weight capacity.

Part #	Description	Height
MDS86222CHR	Quad Cane – Small Base	29"-38"
MDS86228CHR	Quad Cane – Large Base	30"-39"





**1-800-227-8748 | UNITED-ORTHO.COM**

**UNITED ORTHO ENTERPRISES**

2235 PENNSYLVANIA STREET | FORT WAYNE, IN 46803 | P 800-227-8748 | F 877-688-7975

© 2019 UNITED ORTHO



CATALOG 2019